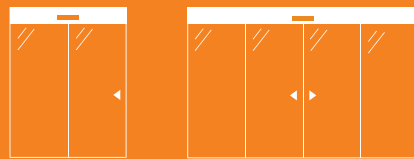


TRELINEA



1- AND 2-LEAF SLIDING DOORS

Sliding doors with 1 or 2 mobile leaves are the appropriate solution to ensure an **intense passage that is realised in a quick, orderly and safe form.**

Ideal for airports, stations, public buildings shopping centres, hotels and pharmacies.



SIDE-SLIDING DOOR

Automatic doors with side opening consist of a mobile leaf that slides to the right or left, to adapt to the architectural space requirements.



CENTRAL SLIDING DOOR

Automatic doors with central opening consist of two mobile leaves that slide in opposite directions, clearing a wide open passageway.

Types of leaves

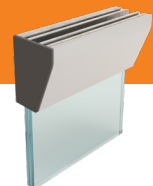
20 mm profile for
10 mm mortise glass



45 mm leaf with
glazing bead



All-glass leaf with
clamp attachment





Sensors



Infrared sensor for presence and motion detection.
Useful as a side **security sensor**.



Infrared sensor for presence and motion detection.
Large detection and safety area.



Infrared and microwave sensor with supervisory control and wide adjustment.
Used for emergency exits.

Selectors

The selectors are used to select one of the 4 door operating modes:
automatic, locked, exit only or open.

DIGITAL selector



KEY selector



WIRELESS selector



Other accessories

- ▶ Contactless opening
- ▶ Opening button
- ▶ Interlocking system
- ▶ Badge opening
- ▶ External opening key
- ▶ Automatic lock



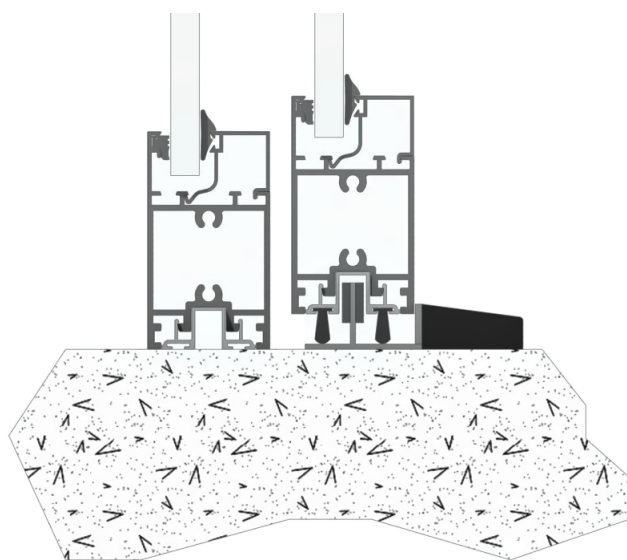
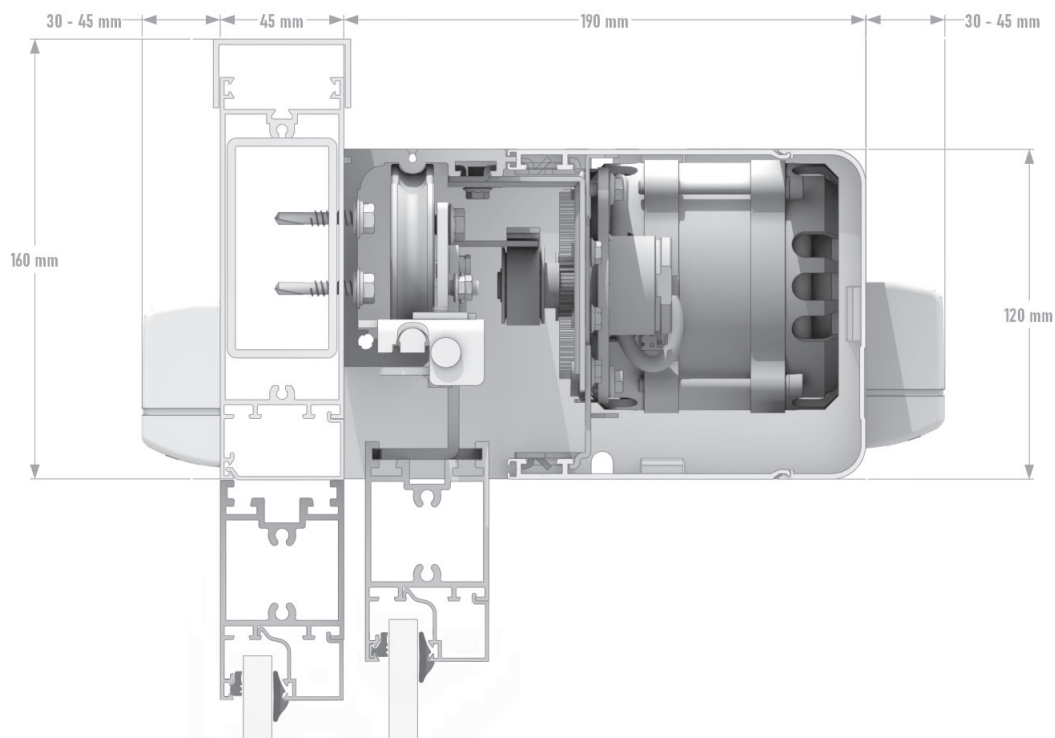
Application regulations

- ▶ Machinery Directive 2006/42/CE
- ▶ Low Voltage Directive 2006/95/CE
- ▶ Construction Products Regulation 305/2011/CE
- ▶ Electromagnetic Compatibility Directive 2004/108/CE
- ▶ Safety in use EN 16005
- ▶ Product Standard EN 16361

Technical features

Single motor	110W
Double motor	220W
Standard power supply	220-240V - 50-60Hz
Operating temperature	from -15°C to 50°C
Rechargeable fail-safe batteries	1x26.4V@700 mAh
Standard operator dimensions	120x190 mm
Double telescopic operator dimensions	120x250 mm
Recommended maximum free height	2400 mm
Maximum clearance	800 mm / 5000 mm depending on the door type
Opening speed for each leaf side/central	from 0.4 m/s to 1 m/s - from 0.8 m/s to 2 m/s
Closing speed for each leaf side/central	from 0.15 m/s to 0.6 m/s - from 0.30 m/s to 1.2 m/s
Maximum acceleration	1.5 m/s

SIDE AND CENTRAL SLIDING DOORS



Side



Central

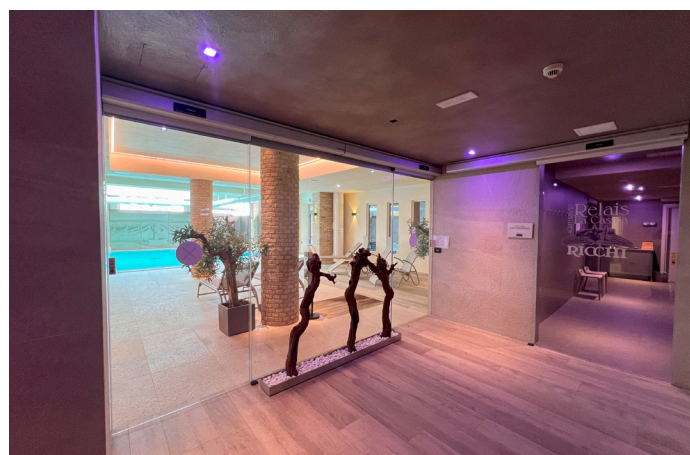


Maximum weight per leaf

	1 leaf - side sliding	2 leaves - central sliding
Single motor	90 kg	60 kg
Double motor	120 kg	90 kg

—
Some of our
installations





Visit our website
trelinea.com for more
installations.

Let's keep in
TOUCH

trelinea.com

